

Image may differ from product. See technical specification for details.

## SY 15 FM

### Pillow block ball bearing unit with narrow inner ring and eccentric locking collar, cast iron, ISO standards

Pillow (plummer) block ball bearing units consist of an insert bearing mounted in a cast iron housing that can be bolted to a support surface. This variant is intended for use in applications where the direction of rotation is constant. It has a narrow inner ring and is locked onto the shaft by an eccentric locking collar, making it easy to mount.

- Strong
- Ready to mount
- Lubricated and sealed bearing
- Designed for rotation in one direction
- Accommodate static initial misalignment

# Overview

## Dimensions

Shaft diameter	15 mm
Centre height (pillow block)	30.2 mm
Housing overall width	32 mm
Centre distance between bolt holes	97 mm
Bearing width, total	28.6 mm

## Properties

Housing type	Pillow block
Number of bolt holes for fasteners	2
Fastening bolt hole type	Plain
Retaining feature, inner ring	Eccentric collar
Bore type	Cylindrical
Rubber seating ring	Without
Material, housing	Cast iron
Material, bearing	Bearing steel
Coating	Without
Sealing, bearing	Seal on both sides
Sealing type	Contact, standard
Sealing, unit	Without
Lubricant	Grease
Relubrication hole	With
Grease fitting	With

## Performance

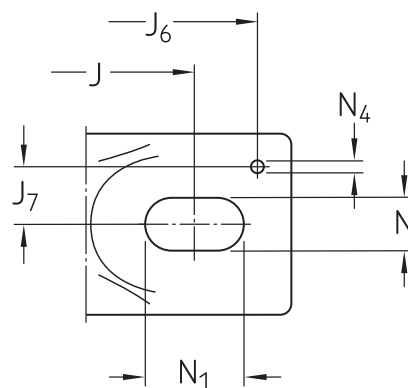
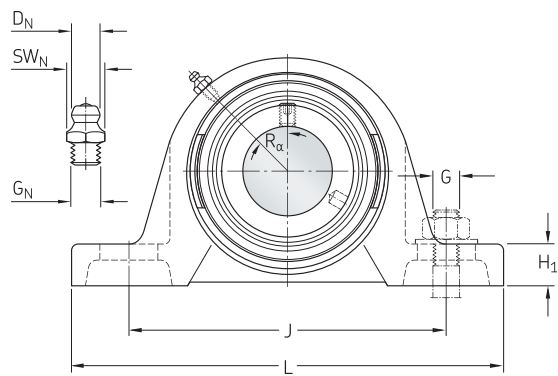
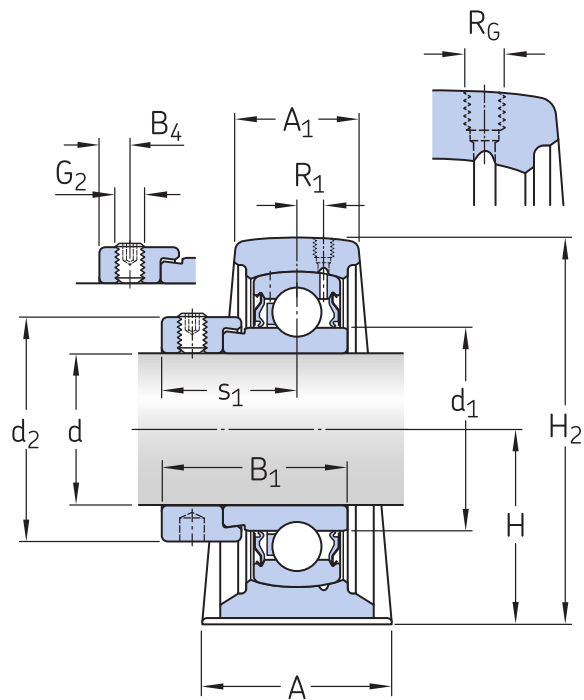
Basic dynamic load rating	9.56 kN
Basic static load rating	4.75 kN
Limiting speed	9 500 r/min
Note	Limiting speed with shaft tolerance h6

## Logistics

Product net weight	0.495 kg
eClass code	23-05-08-02
UNSPSC code	31171536

# Technical specification

Compliance with standard	ISO
Purpose specific	For material handling applications
Material, housing	Cast iron
Sealing, bearing	Seal on both sides
Sealing type, bearing	Contact, standard
Sealing, unit	Without
Coating	Without



## Dimensions

$d$	15 mm	Bore diameter
$d_1$	$\approx 24.2$ mm	Shoulder diameter of inner ring
$d_2$	27.2 mm	Outside diameter of locking ring
$A$	32 mm	Base width
$A_1$	18 mm	Top width
$B$	19.1 mm	Width of inner ring
$B_1$	28.6 mm	Overall bearing width
$B_4$	4.75 mm	Distance from locking device side face to thread centre
$H$	30.2 mm	Height of spherical seat centre
$H_1$	14 mm	Foot height
$H_2$	57 mm	Overall height
$J$	97 mm	Distance between attachment bolts
$J$	max. 106 mm	Distance between attachment bolts
$J$	min. 88 mm	Distance between attachment bolts
$L$	127 mm	Overall length
$N$	11.5 mm	Diameter of attachment bolt hole
$N_1$	20.5 mm	Length of attachment bolt hole
$s_1$	22.1 mm	Distance from locking device side face to raceway centre

## THREADED HOLE

$R_G$	1/4-28 UNF	Housing thread for the grease fitting
$R_1$	1 mm	Axial position of the housing thread
$R_\alpha$	45 °	Angular position of the housing thread

## GREASE FITTING

$D_N$	6.5 mm	Diameter of head sphere of grease fitting
$SW_N$	7 mm	Hexagonal key size for the grease fitting
$G_N$	1/4-28 SAE-LT	Thread of grease fitting

## DOWEL PINS

$J_6$	118 mm	Distance of dowel pins
$J_7$	11.5 mm	Axial offset of dowel pins
$N_4$	2 mm	Recommended diameter for dowel pins

## Calculation data

Basic dynamic load rating	C	9.56 kN
Basic static load rating	$C_0$	4.75 kN
Fatigue load limit	$P_u$	0.2 kN
Limiting speed		9 500 r/min
		Limiting speed with shaft tolerance h6

## Mass

Mass bearing unit	0.48 kg
-------------------	---------

## Mounting information

Set screw	G <sub>2</sub>	M6x0.75
Hexagonal key size for set screw		3 mm
Recommended tightening torque for set screw		4 N·m
Recommended diameter for attachment bolts, mm	G	10 mm
Recommended diameter for attachment bolts, inch	G	0.375 in

## Compatible products

### Component

---

Pillow block housing for insert bearings, cast iron, ISO standards

[SY 503 M](#)

Insert bearing with an eccentric locking collar and narrow inner ring

[YET 203/15](#)